

3 channel DMX LED driver 50 W

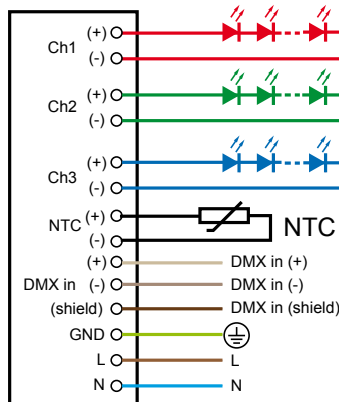


50 W 120 - 250 V, 50-60 Hz

- Max. total output power 50 W
- Smooth dimming range 0.1 % - 100 %
- Default output current 350 mA
- Programmable output current (350 – 1050 mA)
- Programmable DMX512 start address
- Optional DMX programming dongle (LC50-PR)
- High efficiency 0.89 (at full load, 230 VAC)
- High power factor > 0.97c (at full load, 230 VAC)



Connections



Note: Not suitable for load side switching operation.

Mains Characteristics

Voltage range	90 - 305 VAC
Max mains current at full load	0.30 - 0.60 A
Frequency	50 / 60 Hz
U-OUT _{max} (abnormal)	60 V

Load Output

Output current (default)	350 mA
Output current range (programmable)	350-1050 mA

Max. total output power	50 W
Max. individual channel power	50 W
Efficiency, at full load, typical	0.89

I-OUT	350 mA	350 - 1050 mA
P-out (max)	50 W	50 W
U-OUT	10 - 55 V	10 - 55 V
λ	> 0.9c	> 0.9c
η @ max	0.89	0.89

Operating Conditions and Characteristics

Max. temperature at tc point	85 °C
Ambient temperature range	-20...+50 °C
Storage temperature range	-40...+80 °C
Maximum relative humidity	no condensation
Life time	30 000 h, at tc max. (90 % survival rate)

Connections and Mechanical Data

Wire size	0.5 - 1.5 mm ²
Wire type	solid core and fine-stranded
Maximum driver to LED wire length	5 m
Weight	350 g
IP rating	20

Conformity & Standards

General and safety requirements	EN 61347-1
Particular safety requirements for d.c. or a.c. supplied electronic controlgear for LED modules, acc. to	EN 61347-2-13
Thermal protection class	EN 61347, C5e
Mains current harmonics, acc. to	EN 61000-3-2
Radio Frequency Interference, acc. to	EN 55015
Immunity standard, acc. to	EN 61547
Performance requirements, acc to	EN 62384

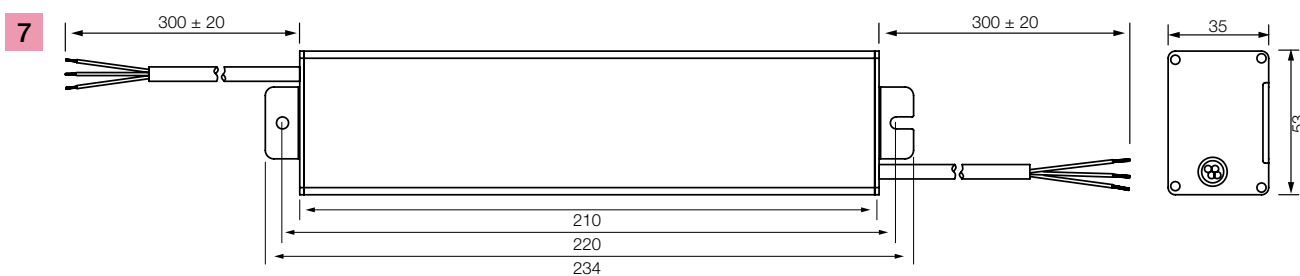
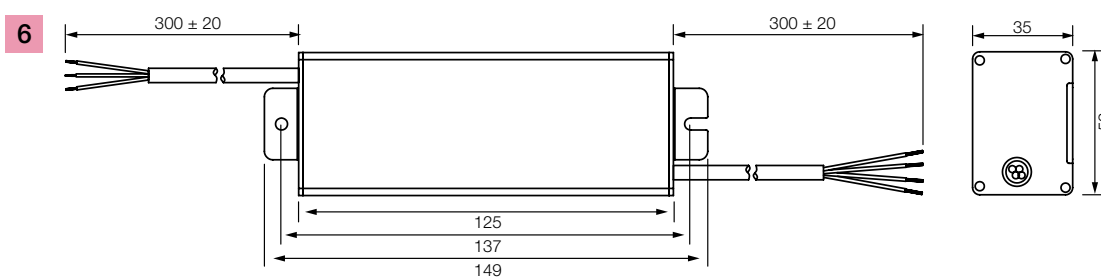
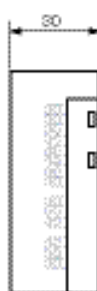
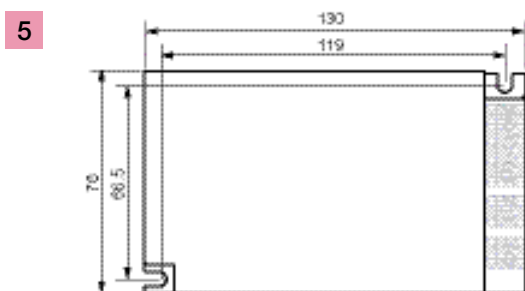
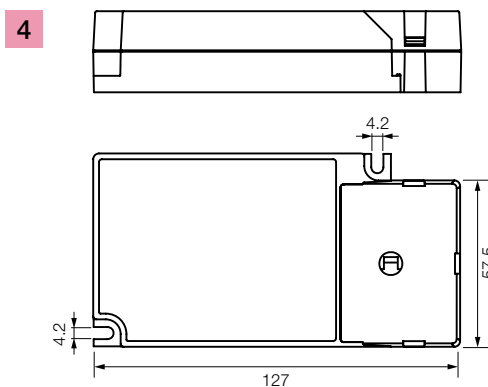
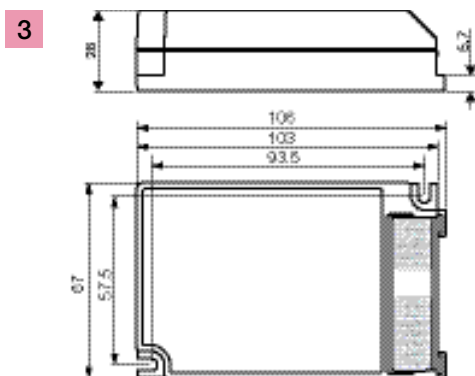
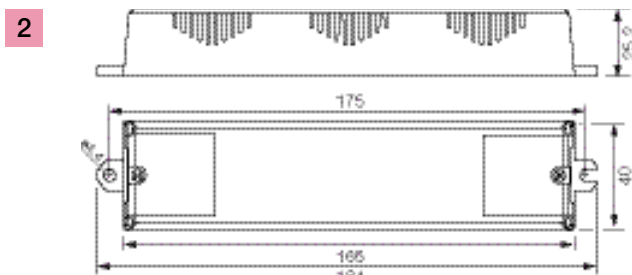
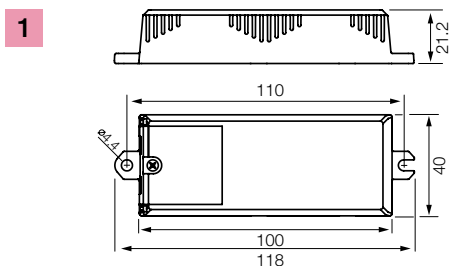
Compliant with relevant EU directives
CE, UL pending, VDE & ENEC pending, SELV

Optional

USB to DMX programming dongle LC50-PR

Note: See page 79 for dimensions, (no. 5)

Dimensions



1	LL6-U-CC
2	LL20-U-CC
3	LC1x30-E-CC, LC1x30-E-DA, LC1x30-E-AN
4	LC1x30-E-CC, LC1x30-E-DA, LC1x30-E-AN (+ LC1x30-SR)
5	LC50-U-DX3

6	OL1x60-E-CC
7	OL1x100-E-CC1, OL1x100-E-CC2