



PEPER M / PEPER L

Installation instructions

Montageanleitung (DE)

Instrucciones de montaje (ES)

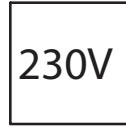
Instruções de instalação (PT)

Инструкция по монтажу (RU)

Инструкциите за инсталиране (BG)

Інструкція по встановленню (UK)

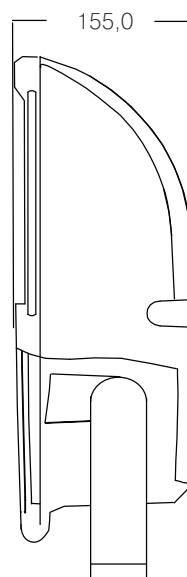
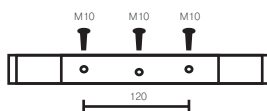
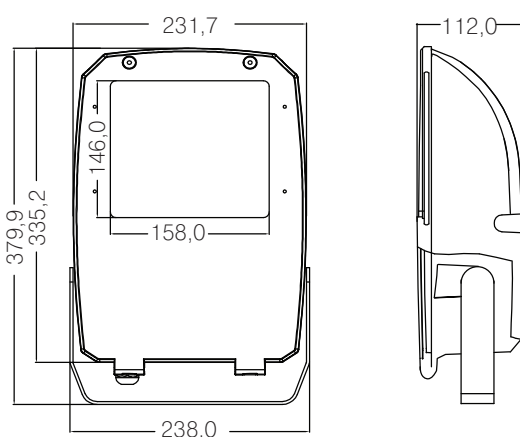
تثبيت تلامبا تاميل عت (AR)



	kg	Light bulb	m ²	m
PEPER M 70W HIT (HST) ASYMMETRIC	4.0(3.1*)	70W HIT (HST) Rx7s	0.07 m ²	1.0 m
PEPER M 70W HIT (HST) SYMMETRIC	4.0(3.1*)	70W HIT (HST) Rx7s	0.07 m ²	1.0 m
PEPER M 70W HIT (HST) CIRCULAR	4.0(3.1*)	70W HIT (HST) Rx7s	0.07 m ²	1.0 m
PEPER M 150W HIT (HST) ASYMMETRIC	4.7(3.1*)	150W HIT (HST) Rx7s	0.07 m ²	1.0 m
PEPER M 150W HIT (HST) SYMMETRIC	4.7(3.1*)	150W HIT (HST) Rx7s	0.07 m ²	1.0 m
PEPER M 150W HIT (HST) CIRCULAR	4.7(3.1*)	150W HIT (HST) Rx7s	0.07 m ²	1.0 m
PEPER L 250W HIT (HST) ASYMMETRIC	11.3	250W HIT (HST) E40	0.12 m ²	1.0 m
PEPER L 250W HIT (HST) SYMMETRIC	11.3	250W HIT (HST) E40	0.12 m ²	1.0 m
PEPER L 250W HIT (HST) CIRCULAR	11.3	250W HIT (HST) E40	0.12 m ²	1.0 m
PEPER L 400W HIT (HST) ASYMMETRIC	11.8	400W HIT (HST) E40	0.12 m ²	1.0 m
PEPER L 400W HIT (HST) SYMMETRIC	11.8	400W HIT (HST) E40	0.12 m ²	1.0 m
PEPER L 400W HIT (HST) CIRCULAR	11.8	400W HIT (HST) E40	0.12 m ²	1.0 m

*HF and HFR

PEPER M



PEPER L

