

## ActiveAhead Control Unit (5605)



A member of the ActiveAhead family of continuously adaptive wireless lighting control solutions, the ActiveAhead Control Unit makes ActiveAhead luminaires anticipate the most suitable lighting conditions right before they are needed.

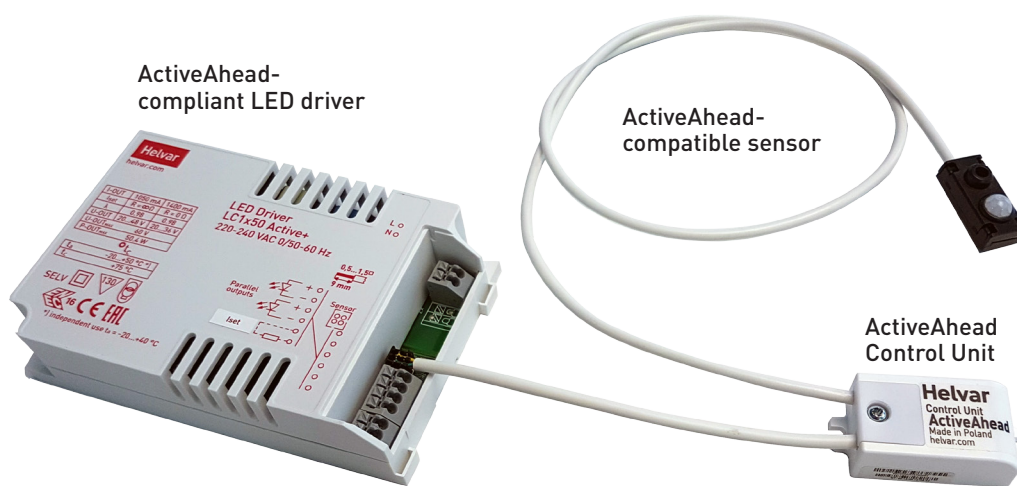
Thanks to its smart software algorithm, it is able to learn the movement patterns of people in its environment, predict where they are moving to and adjust the luminaire operation accordingly.

Learning is based on the data that the unit receives from locally connected sensors and from other ActiveAhead nodes in the network. Using low energy Bluetooth®

radio technology, the ActiveAhead control units build a mesh network through which they share any collected information, such as movements detected in their vicinity.

Since the ActiveAhead Control Unit never stops learning, it will adapt to any future changes in its environment, such as a wall installation or removal.

A mobile app lets you adjust the parameters of a single luminaire, a group of luminaires or a network of luminaires. The parameters include the desired light level, time-out and fade-time, as well as options to group controls and to configure daylight-harvesting mode.



### Key Features

- Continuously learns movement patterns in its proximity.
- Easy configuration via Helvar's ActiveAhead app.
- Connects and powers sensors.
- Information sharing through mesh network.
- Connectivity to mobile devices and to other control devices, such as sensors and wall switches.
- Compatible with ActiveAhead range sensors 3020 Active+ Sense and 3022 ActiveAhead Sense Outdoor.

## Technical Data

### Mechanical data

Dimensions:	53.5 mm × 25.5 mm × 17.2 mm
Material (casing):	Fire-retardant polycarbonate
Colour:	White (RAL 9016)
IP rating:	IP20
Weight:	11 g
Usage:	Built-in use only

### Operating conditions

Operating temperature:	-20 °C to +80 °C
Relative humidity:	Max. 90 %, noncondensing
Storage temperature:	-55 °C to +85 °C

### Power

Supply input:	3.3 V (from LED driver)
Consumption:	100 mW

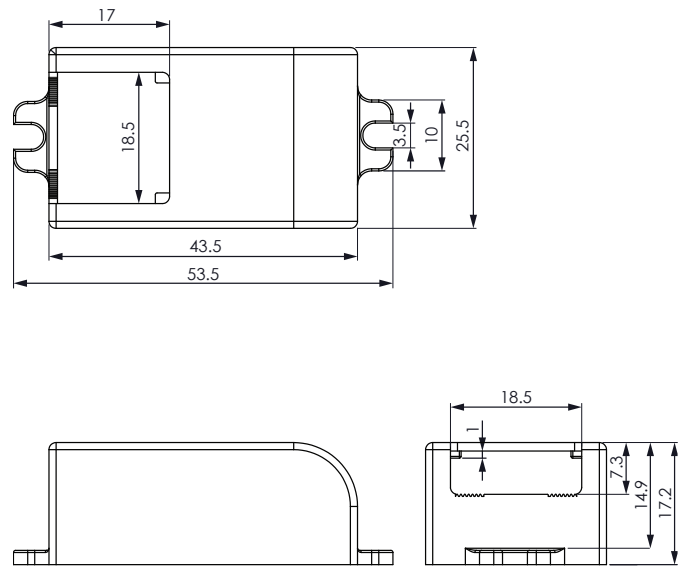
### Connectivity

Technology:	Bluetooth® Low Energy (2.4 GHz)
Antenna pattern:	Omnidirectional
Max. distance between control units:	10 m in free space

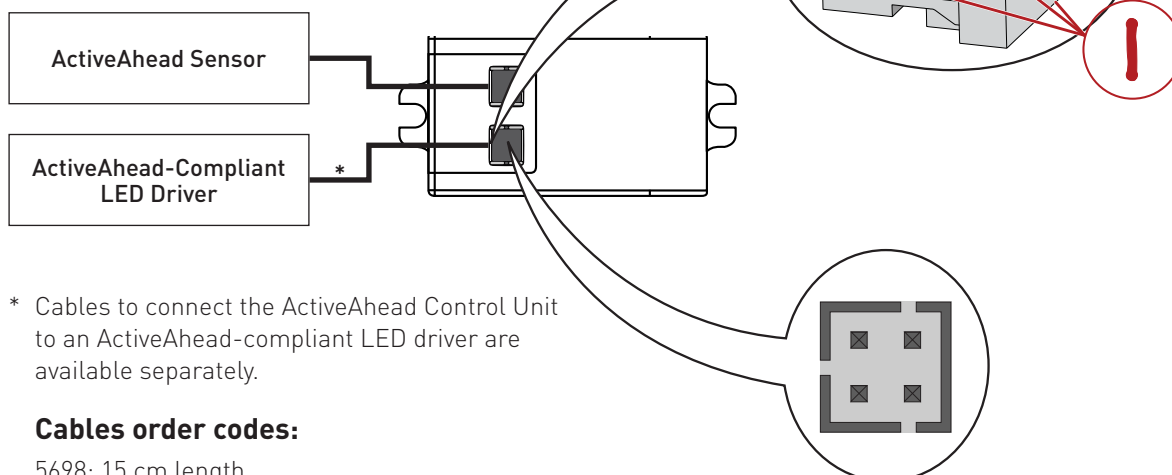
### Conformity and standards

Radio:	EN 300328 EN 301489-1 EN 301489-17
Solution:	EN 60598-1 EN 61347-1 EN 61347-2-11
Environment:	Complies with RoHS directive.

### Dimensions (mm)



### Connections



\* Cables to connect the ActiveAhead Control Unit to an ActiveAhead-compliant LED driver are available separately.

### Cables order codes:

- 5698: 15 cm length
- 5699: 30 cm length